

351

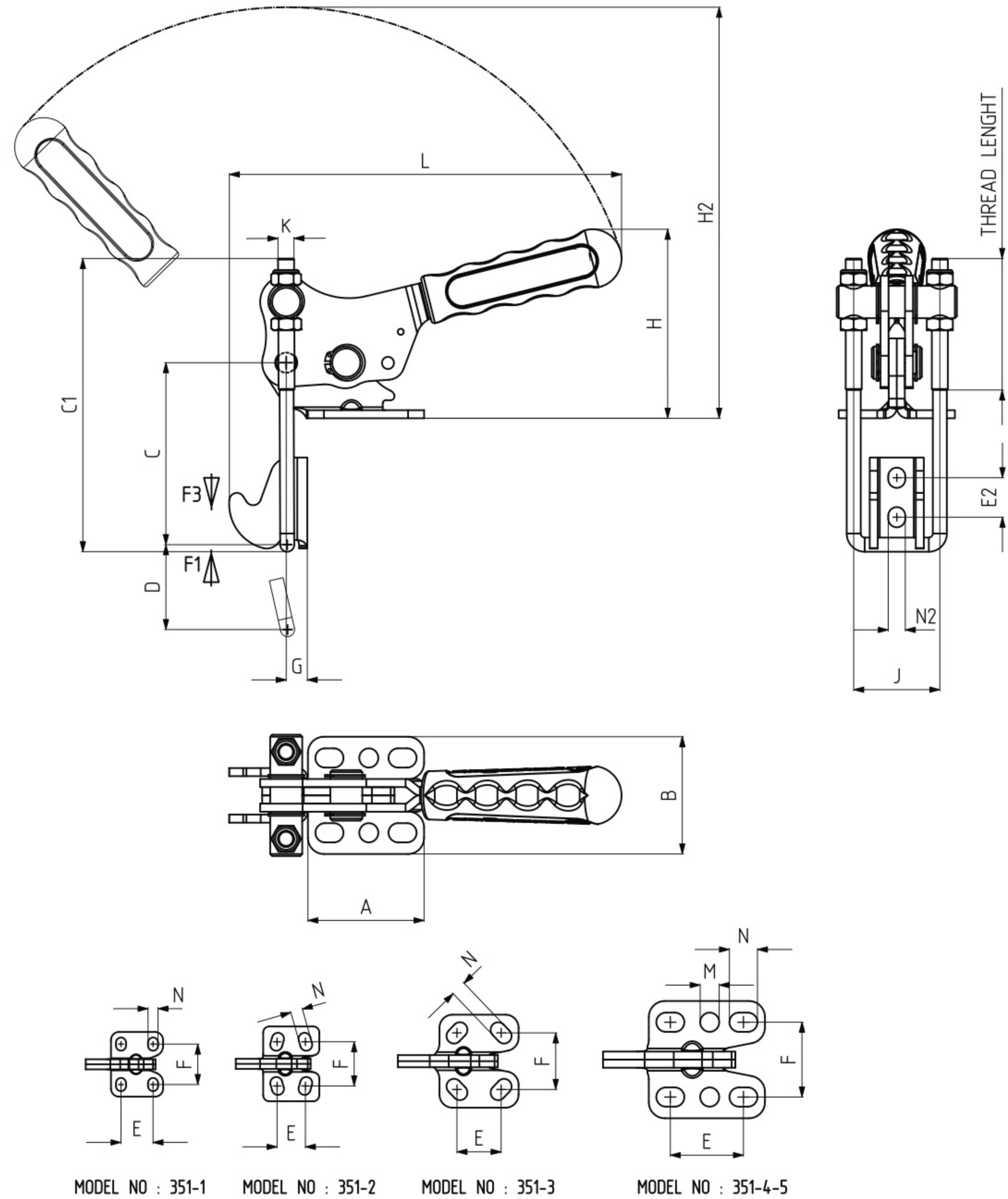
Latch Toggle Clamps With U Hook Body Mounting Base: Horizontal



MODEL NO	STAINLESS	BLACK	F1 (N)	F3 (N)	STROKE (thread length)	WEIGHT (gr ±%2)
351 - 1	S 351 -	B 351 -	1000	1500	45	135
351 - 2	S 351 -	B 351 -	1500	2000	45	175
351 - 3	S 351 -	B 351 -	2200	3200	75	335
351 - 4	S 351 -	B 351 -	7000	8000	95	815
351 - 5	-	B 351 -	10000	11000	110	945

F1 : TENSILE FORCE F3 : HOLDING CAPACITY

Stainless stell latch clamp's tensile strength are %30 more less



MODEL NO	A	B	C (min.)	C (max.)	C1	D	E	E2	F	G	H	H2	J	K	L	M	N	N2
351 - 1	26	32	35	65	90	20	16	10	20	13	55	110	23	M4	104	-	5x6.5	Ø 5
351 - 2	28	37	32	62	90	25	14	12	22	17	58	120	23	M4	113	-	6 x 9	5,5 x 8
351 - 3	39,5	46	32	67	105	35	22	16	28	21,5	67	160	30	M 6	151	-	7,5x11,5	Ø 6,5
351 - 4	58	58	45	95	145	44	36,5	19,5	37	27,5	91	200	43	M8	196	Ø 9,5	9,5x14	8,5x10
351 - 5	58	58	45	127	180	44	36,5	19,5	37	27,5	93,5	204,5	45	M10	196	Ø 9,5	9,5x14	8,5x10

C Dimension is for short U Hook. Please See Accessories Page.