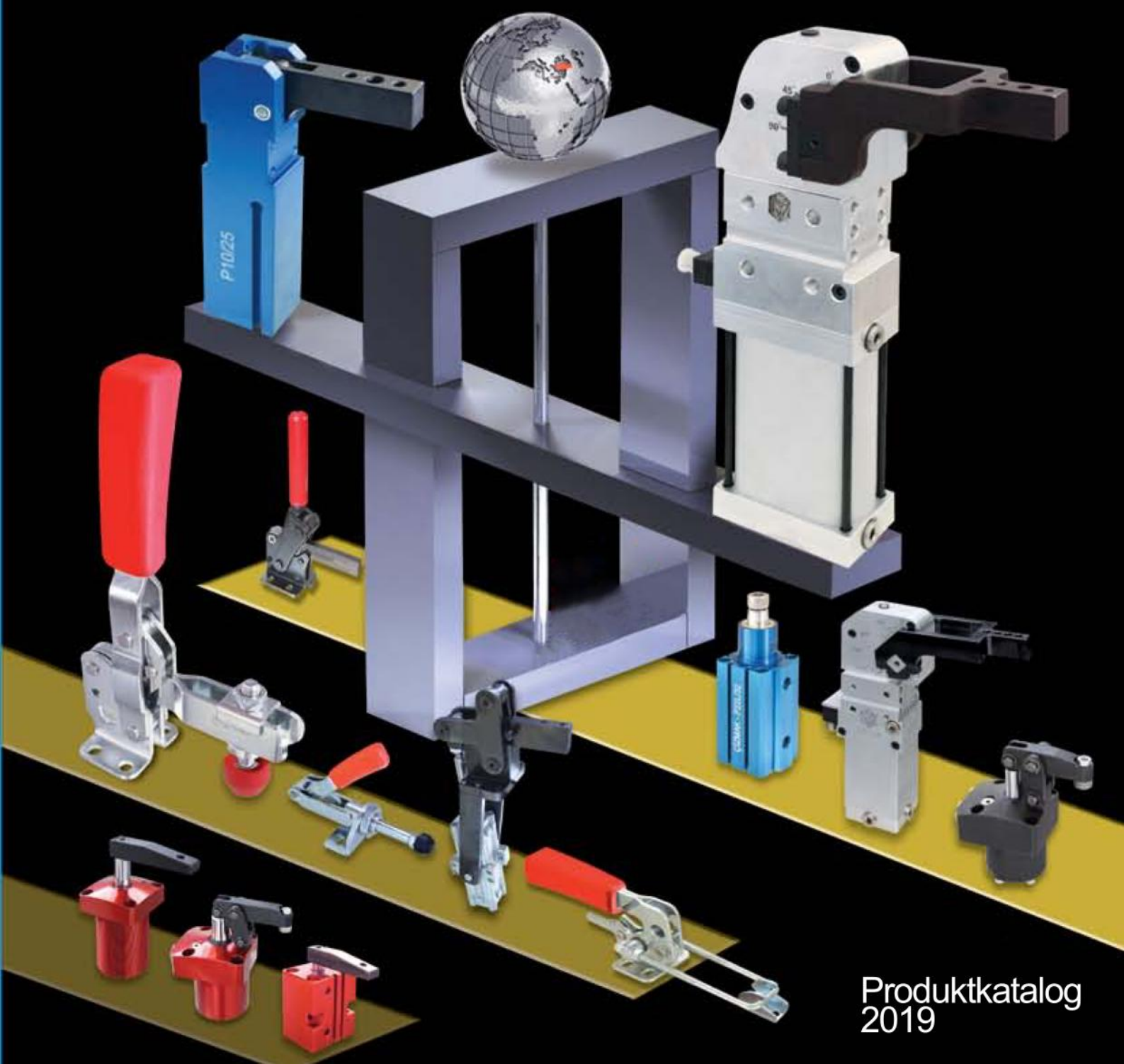


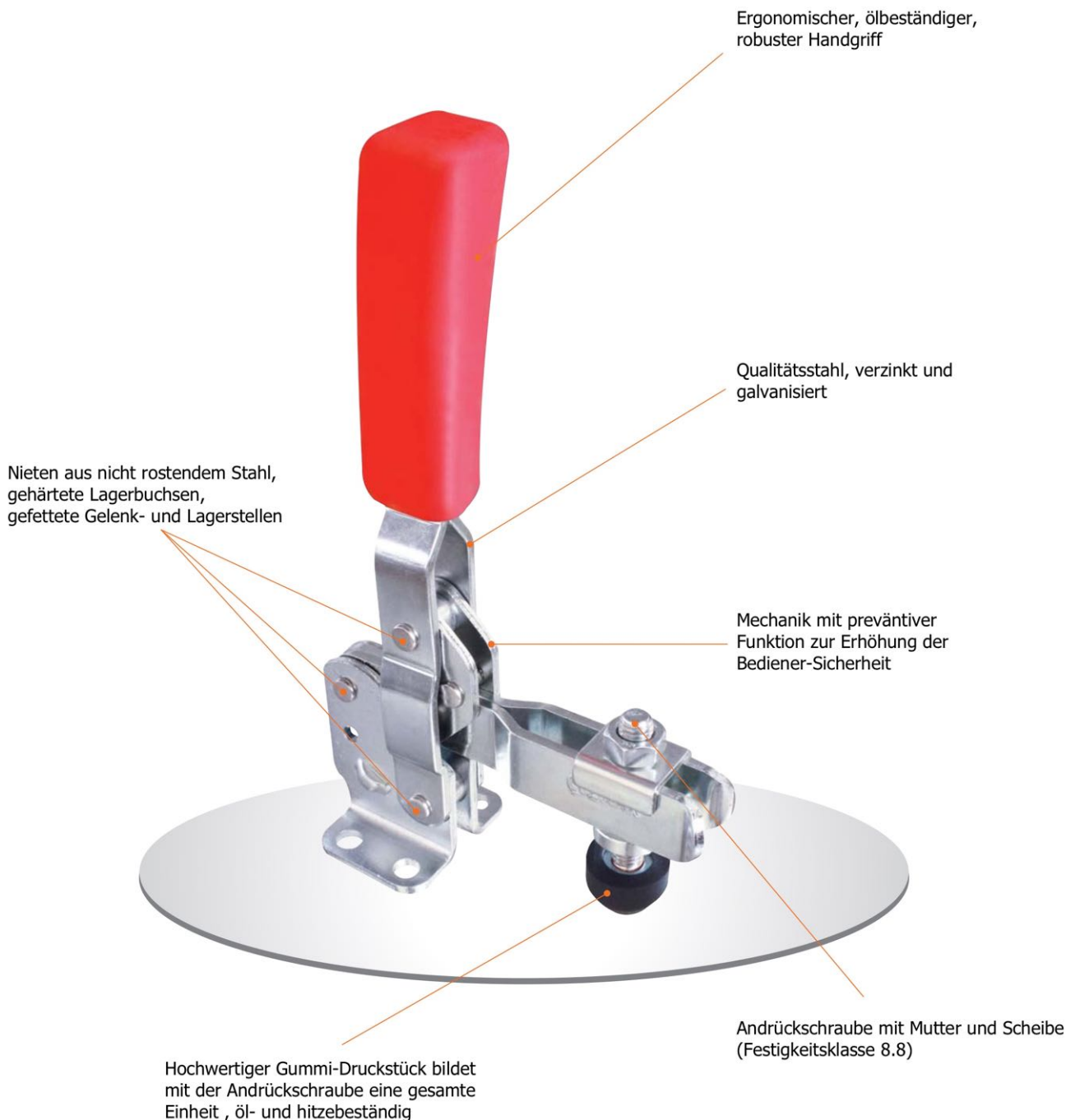
# DESETEC SPANNTÉCHNIK

M-Serie Manuelle Spannelemente  
- Verschlussspanner



**Richtige Produkte für eine perfekten Lösung !**

**Schnellspanner von DESETEC...die richtige Wahl für die richtige Lösung !**  
**toggle clamps..**



**M40Y Verschlussspanner/Bügelspanner horizontal**

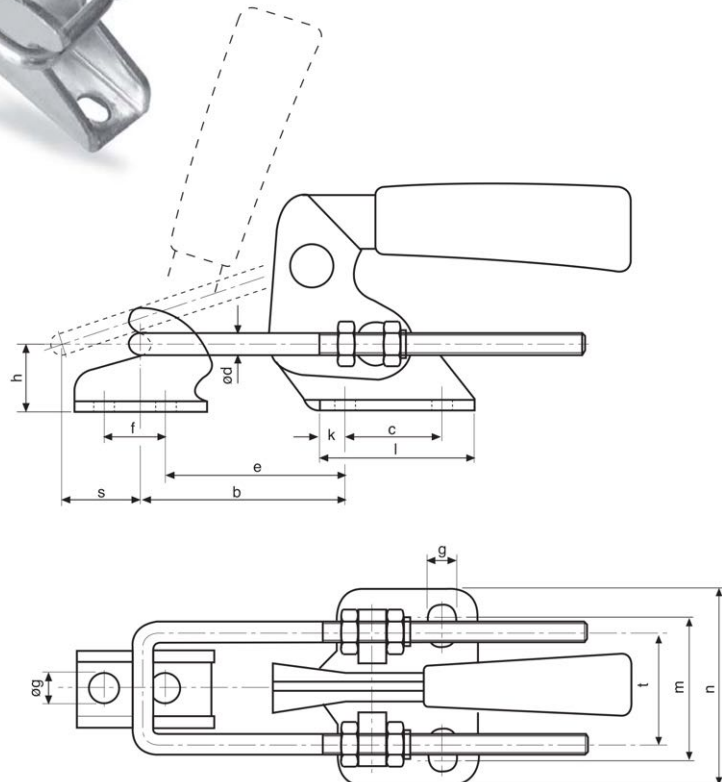
**M40Y**

**Hook type toggle clamps - horizontal**  
Galvanized and passivated.  
Bushes case hardened and greased; rivets of stainless steel.  
Hook and clamping sleeve tempered.  
With traditional red oil-resistant plastic handle.

Size	← (kN)	Ayar Aralığı Adjustm. distance (mm)			
1	1	26	28	60	90
2	1.4	32	43	70	110
3	2.5	42	64	102	300
4	4.5	55	84	140	710



Size	b	c	d	e	f	g	h	k	l	m	n	s	t
1	30-65	16	3.5	18-28	10	4.5	12	5.5	26.5	21	28	4	18.5
2	42-74	13	4	38-70	11	5.2	12	6.5	26	24	38	6	19
3	53-95	19	6	48-90	14	6.5	19	8	35	32	48	6	25
4	72-127	32	8	65-120	19	8.5	25	9.5	51	45	65	13	36






**M40D Verschlusspanner/Bügelspanner vertikal**

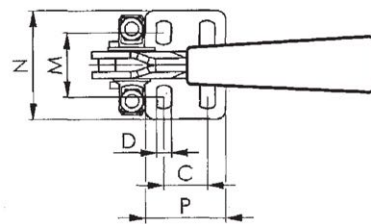
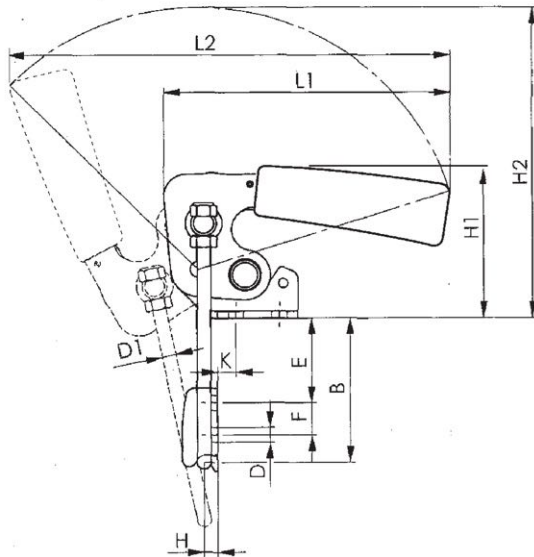
**M40D**

**Hook type toggle clamps - Vertical**

Galvanized and passivated.  
Bushes case hardened and greased; rivets of stainless steel.  
Hook and clamping sleeve tempered.  
With traditional red oil-resistant plastic handle.

Size	↓ (kN)	Ayar Aralığı Adjustm. distance (mm)			
2	1.6	26	45	100	130
3	3.2	28	68	135	340
4	7	36	90	165	810

Size	B	C	D	D1	E	F	H	H1	H2	K	L1	M	N	P
2	24 - 47	13	5.2	4	5 - 28	11	4.5	47	99	6.8	91 - 158	19.5 - 23.5	38	26
3	33 - 63	19	6.5	6	6.5 - 37	14	6	70	137	8	125 - 195	24.5 - 32.5	48	35
4	43 - 81	32	8.5	8	9 - 47	19	8	94.5	171	9.6	155 - 244	35 - 46	64.5	53.5



M42 Verschlussspanner/Bügelspanner horizontal

M42

Hook type toggle clamps

Galvanized and passivated.

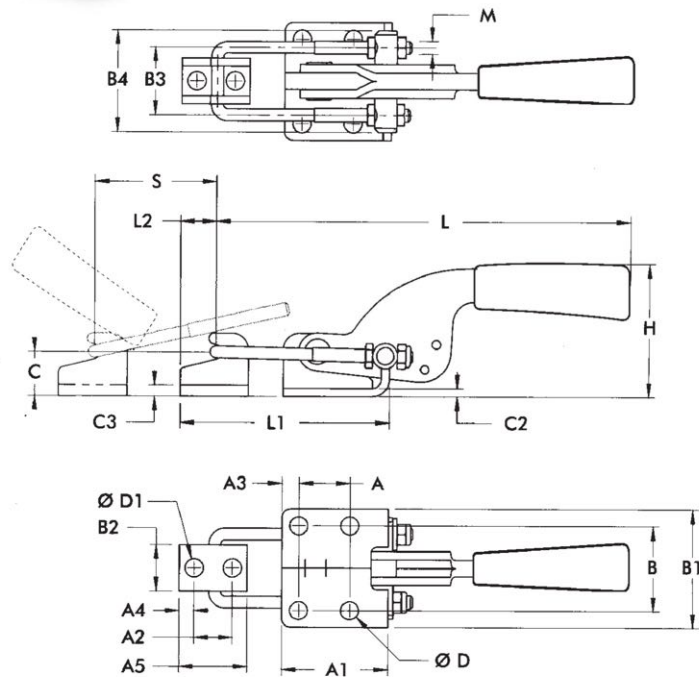
Bushes case hardened and greased; rivets of stainless steel.

Hook and clamping sleeve tempered.

With traditional red oil-resistant plastic handle.

Size	↔ (kN)	Ayar Araligi Adjustm. distance (mm)	⚖ g
3	3.2	26	230
4	10	32	800

Size	A	A1	A2	A3	A4	A5	B	B1	B2	B3	B4	C	C2	C3	øD	øD1	H	L	L1 max	L2	M	S
3	19	40	10.5	6.5	7.5	26	31.5	45	16	25	38	16.5	3	3	6.5	5.3	64	170	90	13	M5	45.5
4	41.5	60	19	9.25	8	41	39	55	28.5	44.5	47.5	25	4	4	8.3	8.3	77	255	136	20	M10	63.5

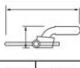



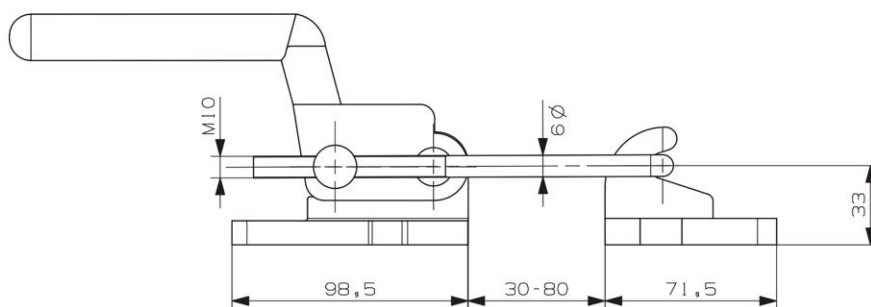
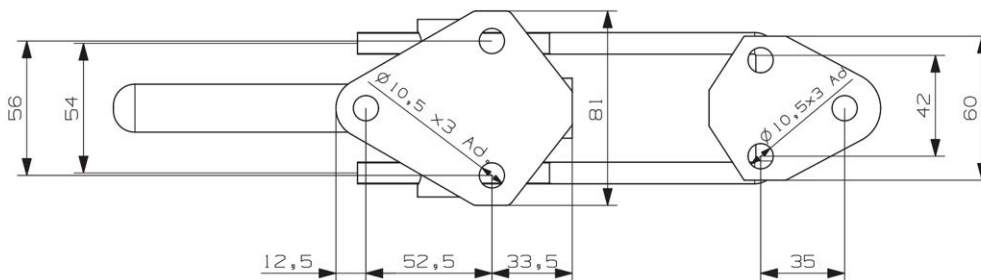
**M44 Schwerer Verschchlussspanner/Bügelspanner horizontal**
**M44**

**Heavy hook type toggle clamp**  
 for high retaining force.

*Pins hardened, ground and permanently lubricated.  
 Circlips are used to retain pins in bearing bushes, and to centre the clamping pin.  
 Foot, lever arm and catch are made of cast steel and blued.  
 Stirrup, pins and nuts are heat-treated zinc-plated.  
 Handle grip is red, oil-resistant plastic.*



Size	← (kN)	Ayar Aralığı Adjustm. distance (mm)		 g
4	15	50	90 280	1400



M46 Verschlusspanner-Hakenspanner

M46

**Hook type toggle clamps**

Galvanized and passivated. Bushes case hardened and greased; rivets of stainless steel.  
Hook and clamping sleeve tempered.  
With traditional red oil-resistant plastic handle.

Size	b	c	d	e	g	h	k	l	m	n	R	s
1	36-41	19	6	36.5 - 41.5	4.5	24	6.5	33	27-29	41	4.5	45
3	67-79	19	8	74.5 - 86.5	5.5	24	13	41	32-35	43	5.5	98
5	58-70	30	12	58.5 - 70.5	11	49	13	55	56-61	85	8	144

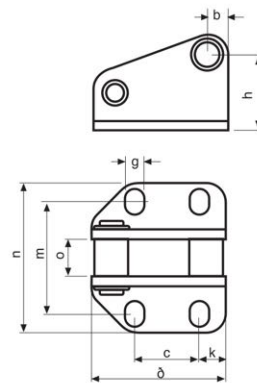
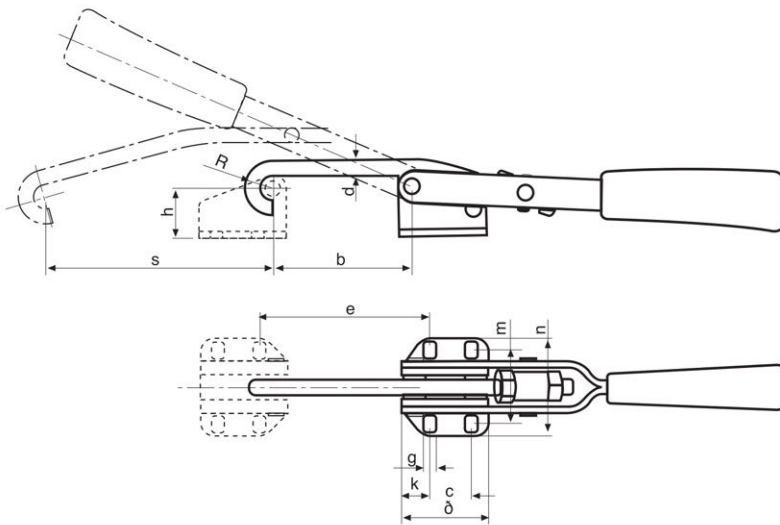


Size	↔ (kN)	Ayar Aralığı Adjustm. distance (mm)	↔	↔	⚖ g
1	2.0	5	33	130	100
3	3.0	12	36	230	300
5	5.0	12	70	310	850



**Counter catch**

Galvanized and passivated.  
Bushes case hardened and greased; rivets of stainless steel.



M46K Verschlussspanner-Hakenspanner

M46K

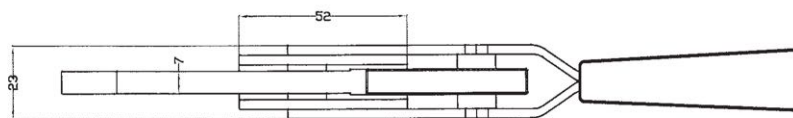
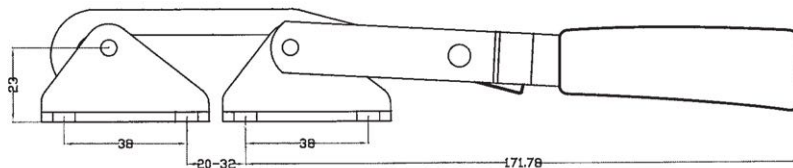
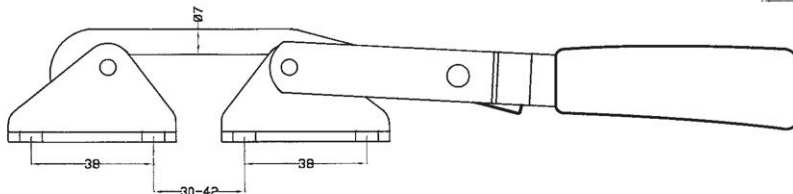
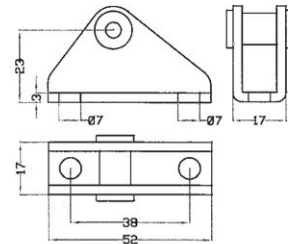
**Hook type toggle clamps**

Galvanized and passivated.

Bushes case hardened and greased; rivets of stainless steel.

Hook and clamping sleeve tempered. With traditional red oil-resistant plastic handle.

Size	↔ (kN)	Ayar Aralığı Adjustm. distance (mm)	↔ 36	↔ 230	⚖ 9
3	3.0	12	36	230	300





## M50/2 Spannerverschluss-einstellbar

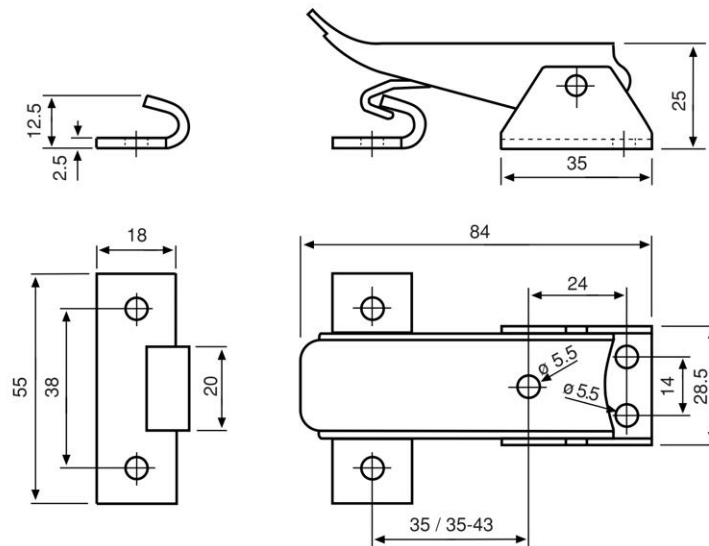
## M50/2

**Light duty toggle clamp**

Light duty adjustable draw latch/toggle clamp/under centre fastener with variable overcenter. Features reverse action design. For tension adjustment and fitting tolerance latch has 10mm of screw adjustment.



Optional galvanized and stainless steel



## M52 Spannerverschluss-einstellbar

## M52

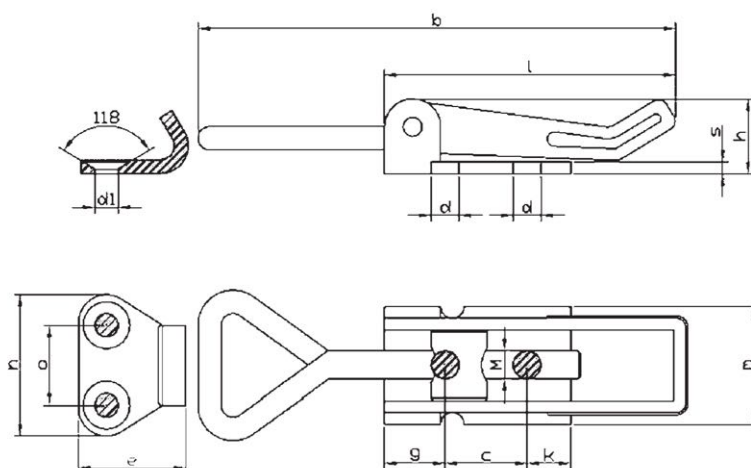
**Light duty toggle clamp**

Light duty adjustable draw latch/toggle clamp/under centre fastener with variable overcenter. Features reverse action design. For tension adjustment and fitting tolerance latch has 10mm of screw adjustment.



İsteğe baęlı galvaniz kaplı ve paslanmaz çelikten yapılır.  
Optional galvanized and stainless steel

Size	b	M	d	d1	s	h	l	m	n	c	k	g	e	o
2	80-95	5	4,3	4,3	2	15	56	20,5	25	18	6	6	21	14
4	100-125	6	6	5	2,5	17	70	25,5	30	17,5	9,5	13	23	17

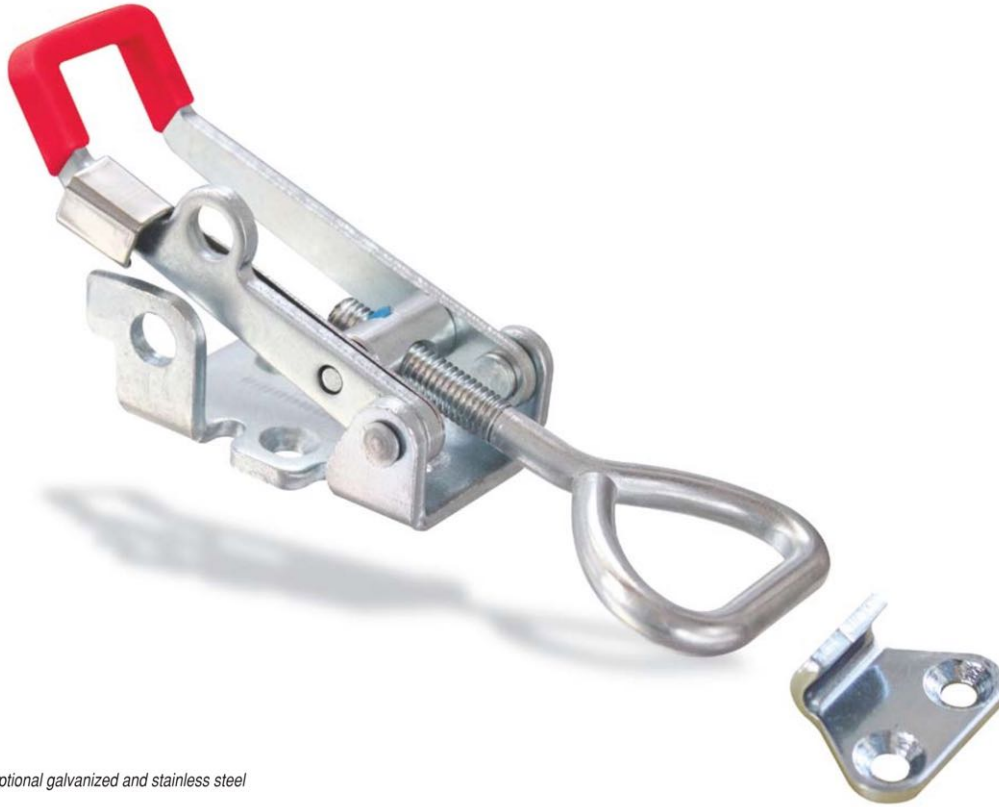


**M52S/6 Spannerverschluss-einstellbar**

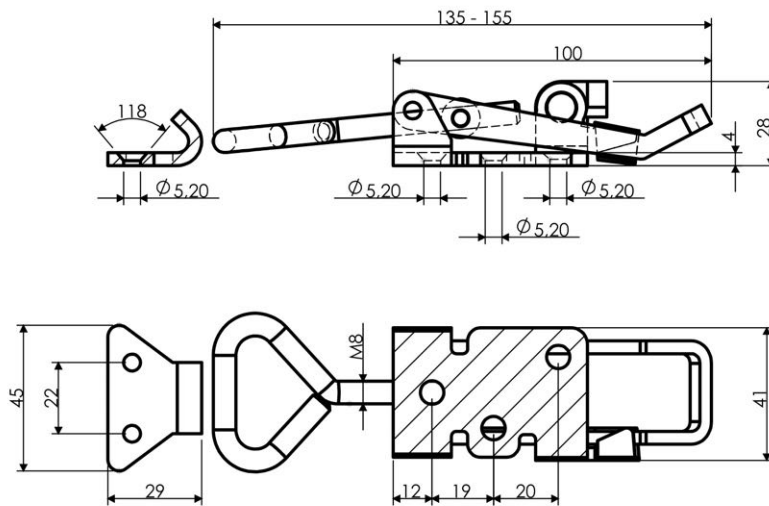
**M52S/6**

*Light duty toggle clamp*

*Light duty adjustable draw latch/toggle clamp/under centre fastener with variable overcenter. Features reverse action design. For tension adjustment and fitting tolerance latch has 10mm of screw adjustment.*



*Optional galvanized and stainless steel*



**M40S Waagrechtspanner mit Sicherheitsverriegelung**

**M40S**

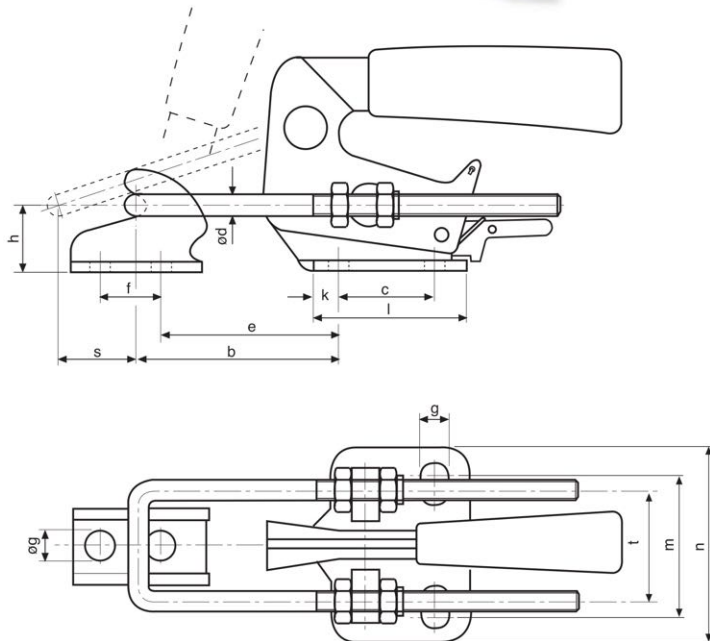
**Hook type toggle clamp with release lever**

Galvanized and passivated.  
Bushes case hardened and greased; rivets of stainless steel.  
Hook and clamping sleeve tempered.  
Hook and clamping sleeve tempered.  
With traditional red oil-resistant plastic handle.



Size	← (kN)	Adjustm. distance (mm)			
3	2.5	42	64	102	300

/ Size	b	c	d	e	f	g	h	k	l	m	n	s	t
3	53-95	19	6	48-90	14	6.5	19	8	35	32	48	6	25



**M46S Hakenspanner mit Sicherheitsverriegelung**

**M46S**

*Hook type toggle clamp with release lever*

*Galvanized and passivated.*

*Bushes case hardened and greased; rivets of stainless steel.*

*Hook and clamping sleeve tempered. With traditional red oil-resistant plastic handle.*

/ Size	b	c	d	e	g	h	k	l	m	n	R	s
3	67-79	19	8	74.5 - 86.5	5.5	24	13	41	32-35	43	5.5	98

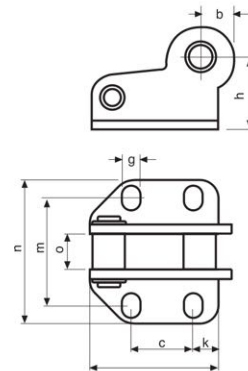
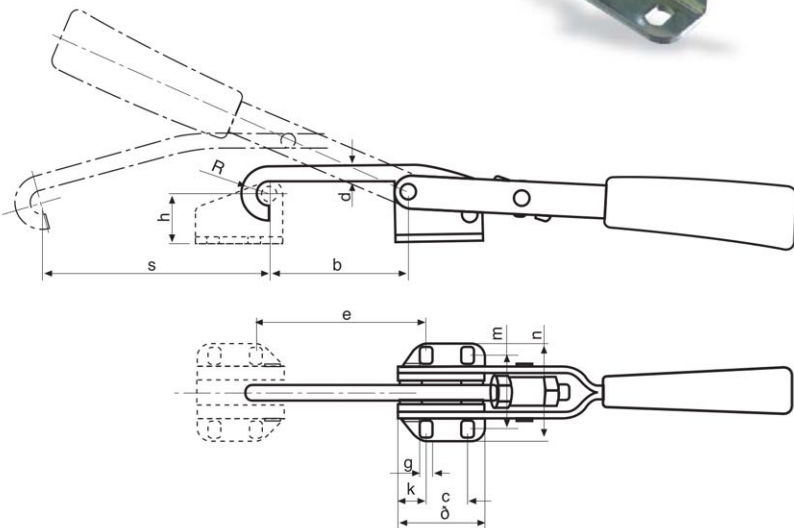
Size	↔ (kN)	Adjustm. distance (mm)	↔	↔	⚖ g
3	3.0	12	36	230	300



**Counter catch**

*Galvanized and passivated.*

*Bushes case hardened and greased; rivets of stainless steel.*



M40P Verschlussspanner – rostfreie Version

M40P

**Hook type toggle clamps**

Galvanized and passivated.

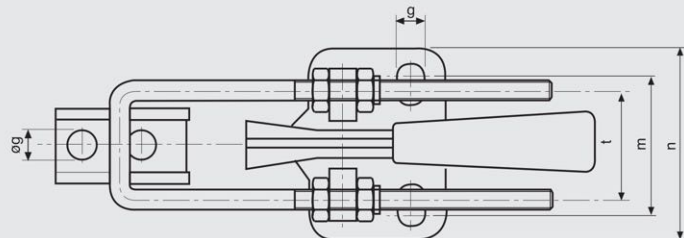
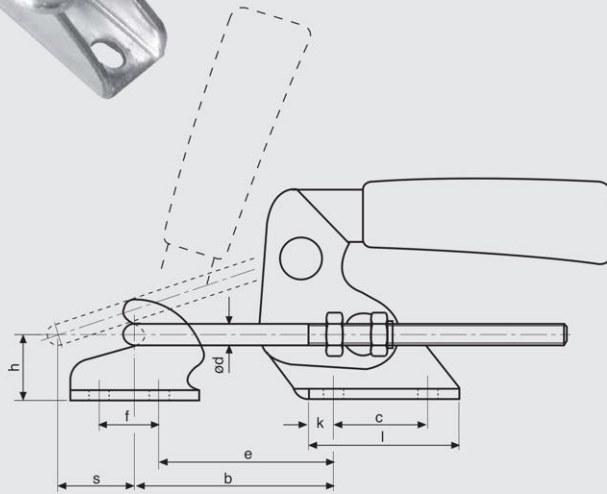
Bushes case hardened and greased; rivets of stainless steel.

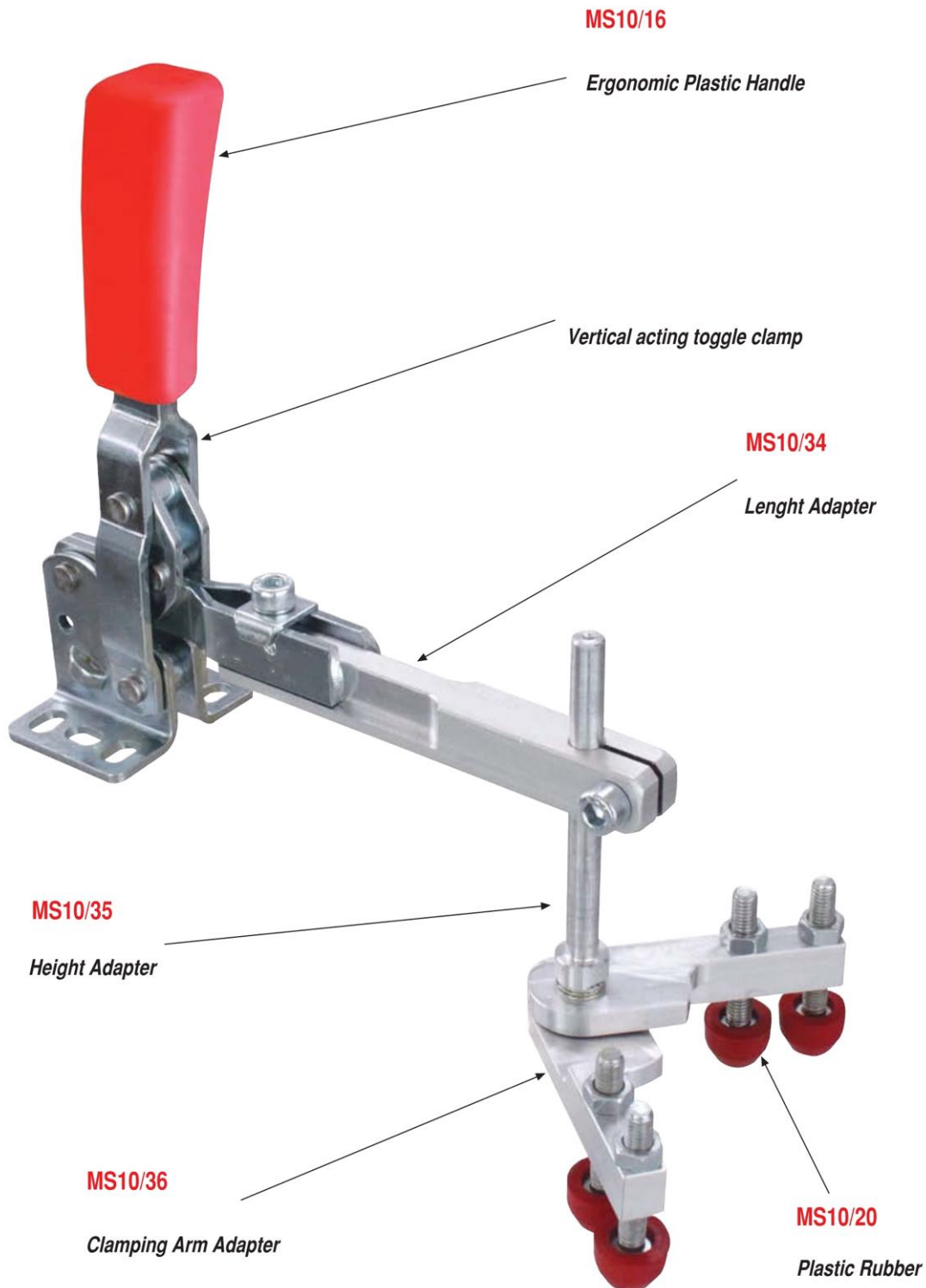
Hook and clamping sleeve tempered.

With traditional red oil-resistant plastic handle.

Size	← (kN)	Ayar Aralığı Adjustm. distance (mm)			
1	1	26	28	60	90
2	1.4	32	43	70	110
3	2.5	42	64	102	300
4	4.5	55	84	140	710

Size	b	c	d	e	f	g	h	k	l	m	n	s	t
1	30-65	16	3.5	18-28	10	4.5	12	5.5	26.5	21	28	4	18.5
2	42-74	13	4	38-70	11	5.2	12	6.5	26	24	38	6	19
3	53-95	19	6	48-90	14	6.5	19	8	35	32	48	6	25
4	72-127	32	8	65-120	19	8.5	25	9.5	51	45	65	13	36



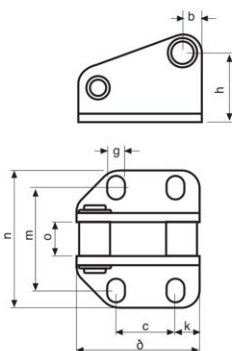
**MS10 Schnellspanner - ZUBEHÖR**

## Schnellspanner - ZUBEHÖR

### MS46/I



**Counter catch**  
Galvanized and passivated.  
Bushes case hardened and  
greased; rivets of stainless steel.

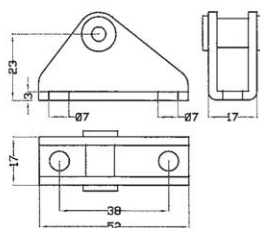


Size	b	c	h	g	k	l	m	n	o
1	6	19	22.5	4.5	6	31	28	41	6.8
3	6	19	23.0	5.5	13	31	32-35	46	10.8
5	12	29	49.0	11.0	13	31	60	89	13.7

### MS46K/I



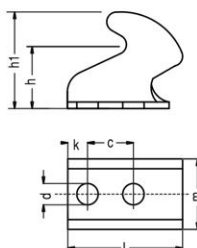
**Counter catch**  
Galvanized and passivated.  
Bushes case hardened and  
greased; rivets of stainless steel.



### MS40/5



**Counter catch**  
Galvanized and passivated.  
Bushes case hardened and  
greased; rivets of stainless steel.

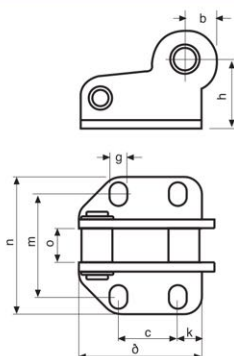


Size	d	c	k	l	m	h	h1
1	4.5	10	5	20	13.5	12	17.5
2	5.5	11	7.5	26	16	15	20
3	6.5	14	6	35	21.5	19	29
4	8.5	19	8	47	28	25	39

### MS40S/I



**Counter catch**  
Galvanized and passivated.  
Bushes case hardened and  
greased; rivets of stainless steel.



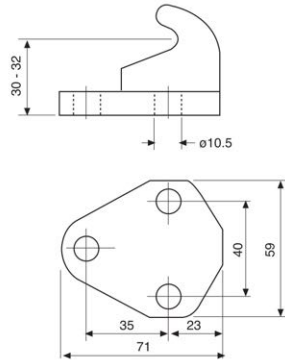
Size	b	c	h	g	k	l	m	n	o
3	6	19	24	5.5	13	41	32-35	43	6.8



## Schnellspanner - ZUBEHÖR

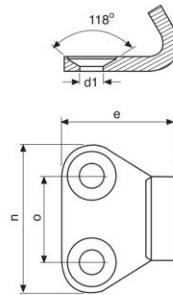
### MS44/3

Counter catch



### MS52/3

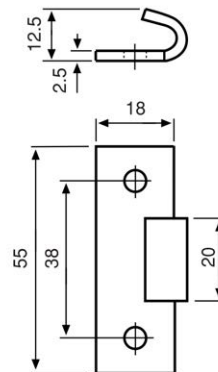
Counter catch  
Galvanized and passivated.  
Bushes case hardened and  
greased; rivets of stainless steel.



Size	d1	n	e	o
2	4.3	25	21	14
4	5	30	23	17

### MS50/3

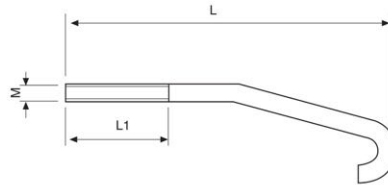
Counter catch  
Galvanized and passivated.  
Bushes case hardened and  
greased; rivets of stainless steel.



## Schnellspanner - ZUBEHÖR

### MS46/3

Catch



Size	M	L1	L
1	M6	30	86
3	M8	50	142
5	M12	107	186

### MS40/4

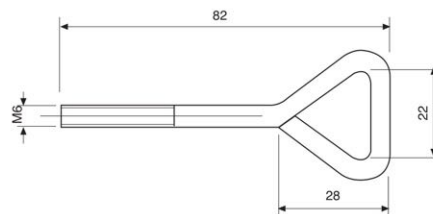
Catch



Size	L	L1	c	k
M4	55	25	19	23
M4	83	52	24	28
M5	85	40	25	30
M6	112	67	31	37
M8	146	87	42	50
M10	130	60	44.5	54.5
M10	170	80	54	64

### MS52/4

Catch



### MS50/5

Catch

